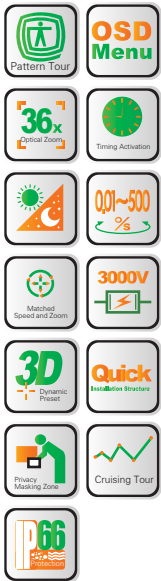


# TC-D2600BW

## Outdoor High Speed Dome Camera

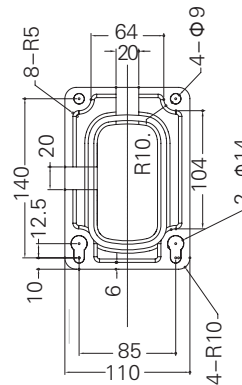
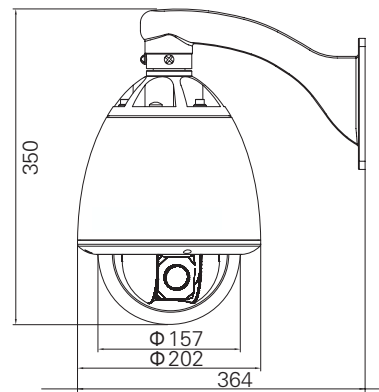
Speed Dome



### FEATURE

- High die-cast aluminum construction
- 1/4"SONY Super HAD CCD
- Day/Night + ICR, High resolution of 480 TV Line(Color)
- Minimum illumination of 0.01Lux in B/W model
- 360° continuous pan rotation
- Pan 0.01°~180°/S, Tilt 0.01°~120°/S, Preset: 500°/S
- Pan Tilt accuracy ± 0.07°
- Comprehensive and Convenient Function setting via English OSD Menu
- Programmable 220 preset positions
- 4 pattern tours, each one with 180s memory
- 8 cruising tracks, each cruising track has 32 preset positions
- 6 alarm inputs and 2 outputs
- 8 Privacy Zones(24 selectable)
- RS-485 multiple protocols, Pelco-P, Pelco-D compatible
- AMP quick installation structure
- IP66-rated waterproof
- Build-in fan and heater, temperature auto control
- Outdoor wall mount housing

### DIMENSIONS (mm)



## CAMERA SPECIFICATIONS

Sub Model	TC-D2618BNW	TC-D2618BW	TC-D2626BW	TC-D2636BW	TC-D2622BW	TC-D2627BW	TC-D2630BW
Sensor	1/4" SONY Super HAD CCD	1/4" SONY Exview HAD CCD	1/4" SONY Exview HAD CCD	1/4" SONY Exview HAD CCD	1/4" SONY Super HAD CCD	1/4" SONY Exview HAD CCD	1/4" SONY Exview HAD CCD
Horizontal Resolution	480TVL	480TVL	480TVL	480TVL	480TVL	480TVL	520TVL
Camera	SONY 45CP	SONY 480CP	SONY 980P	SONY 1000P	CNB VP-200L	LG LVC-C372HP	SANYO VCC-MD600
Focus Length	F4.1mm~73.8mm	F4.1mm~73.8mm	F3.5mm~91.0mm	F3.4mm~122.4mm	F3.9mm~85.8mm	F3.25mm~88.0mm	F3.5mm~105mm
Optical Zoom	18X	18X	26X	36X	22X	27X	30X
Digital Zoom	12X	12X	12X	12X	10X	10X	16X
Minimum Illumination	1.0Lux	0.7 Lux / 0.01 Lux	1.0 Lux / 0.01 Lux	1.4 Lux / 0.01 Lux	1.0 Lux / 0.01 Lux	1.0 Lux / 0.05 Lux	0.8 Lux / 0.04 Lux
Video Output	1Vp-p75 ohms	1Vp-p75 ohms	1Vp-p75 ohms	1Vp-p75 ohms	1Vp-p75 ohm	1Vp-p75 ohms	1Vp-p75 ohms
Back Light Compensation	Auto	Auto	Auto	Auto	Auto	Auto	Auto
Focus	Auto/Manual	Auto/Manual	Auto/Manual	Auto/Manual	Auto/Manual	Auto/Manual	Auto/Manual
Iris	Auto/Manual	Auto/Manual	Auto/Manual	Auto/Manual	Auto/Manual	Auto/Manual	Auto/Manual
S/N Ratio	≥50dB	≥50dB	≥50dB	≥50dB	≥50dB	≥50dB	≥50dB
Electric Shutter	1/50~1/10000s	1/1~1/10000s	1/1~1/10000s	1/1~1/10000s	1/50~1/10000s	1/50~1/10000s	1/1~1/10000s

Speed Dome

## DOME SPECIFICATIONS

Power Supply	AC24V, 50W
Manual Speed	Pan:0.01°~180°/S, Tilt:0.01°~120°/S
Preset Speed	500°/S
Pan Angle	360°continuous pan rotation
Tilt Angle	90°(Auto Flip)
Presets Positions	220
Preset Accuracy	± 0.07°
Auto Scan	8 auto scan tracks, the left and right boundaries and scan speed can be set
Auto Cruising	8 cruising tracks, each cruising tracks has 32 preset positions, the dwell time can be set
Pattern Tour	4 groups, each one with 180s memory
Guard Location	The dome will rotate back to preset position after a period of vacant time
Data Communication	RS-485
Protocols	PELCO-P, PELCO-D
Baud Rate	2400/4800/9600bps
Operating Humidity	0~95%
Operating Temperature	-35°C~ +60°C
Motor	Stepper Motor