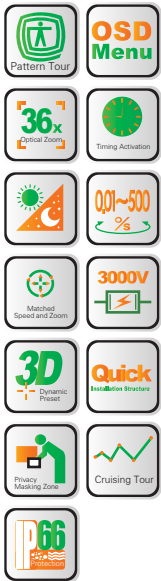


TC-D3600BH

Indoor Middle Speed Dome Camera

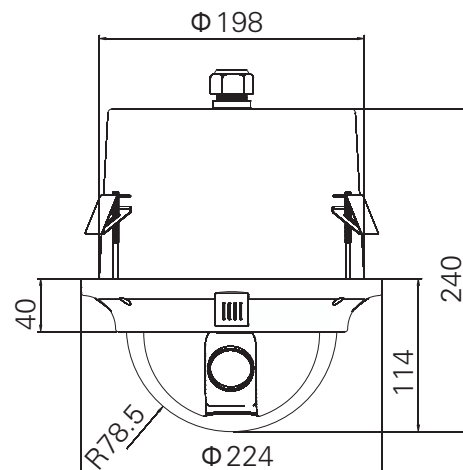
Speed Dome



FEATURE

- Manual Speed: 0.05°/S~120°/S
- 220 preset positions
- 4 auto cruising tracks
- 4 groups of auto scanning
- 4 groups pattern tours, each one with 180s memory
- Timed activation function
- Preset position remote adjusted
- Support communication protection
- Support environment inspection

DIMENSIONS (mm)



CAMERA SPECIFICATIONS

Sub Model	TC-D3618BNH	TC-D3618BH	TC-D3626BH	TC-D3636BH	TC-D3622BH	TC-D3627BH
Sensor	1/4" SONY Super HAD CCD	1/4" SONY Exview HAD CCD	1/4" SONY Exview HAD CCD	1/4" SONY Exview HAD CCD	1/4" SONY Super HAD CCD	1/4" SONY Exview HAD CCD
Horizontal Resolution	480TVL	480TVL	480TVL	480TVL	480TVL 480TVL	480TVL
Camera	SONY 45CP	SONY 480CP	SONY 980P	SONY 1000P	CNB VP-200L	LG LVC-C372HP
Focus Length	F4.1mm~73.8mm	F4.1mm~73.8mm	F3.5mm~91.0mm	F3.4mm~122.4mm	F3.9mm~85.8mm	F3.25mm~88.0mm
Optical Zoom	18X	18X	26X	36X	22X	27X
Digital Zoom	12X	12X	12X	12X	10X	10X
Minimum Illumination	1.0Lux	0.7 Lux / 0.01 Lux	1.0 Lux / 0.01 Lux	1.4 Lux / 0.01 Lux	1.0 Lux / 0.01 Lux	1.0 Lux / 0.05 Lux
Video Output	1Vp-p75 ohms	1Vp-p75 ohms	1Vp-p75 ohms	1Vp-p75 ohms	1Vp-p75 ohms	1Vp-p75 ohms
Back Light Compensation	Auto	Auto	Auto	Auto	Auto	Auto
Focus	Auto/Manual	Auto/Manual	Auto/Manual	Auto/Manual	Auto/Manual	Auto/Manual
Iris	Auto/Manual	Auto/Manual	Auto/Manual	Auto/Manual	Auto/Manual	Auto/Manual
S/N Ratio	≥50dB	≥50dB	≥50dB	≥50dB	≥50dB	≥50dB
Electric Shutter	1/50~1/10000s	1/1~1/10000s	1/1~1/10000s	1/1~1/10000s	1/50~1/10000s	1/50~1/10000s

Speed Dome

DOMES SPECIFICATIONS

Power Supply	AC24V
Power Consumption	8W
Manual Speed	0.05°/S~120°/S
Preset Speed	20°/S
Pan Angle	360° continuous pan rotation
Tilt Angle	90° (Auto Flip)
Presets Positions	220
Preset Accuracy	± 0.1°
Auto Scan	4 auto scan tracks, the left and right boundaries and scan speed can be set
Auto Cruising	4 cruising tracks, each cruising tracks has 32 preset positions, the dwell time can be set
Pattern Tour	4 groups, each one with 60s memory
Guard Location	The dome will rotate back to preset position after a period of vacant time
Data Communication	RS-485
Protocols	PELCO-P, PELCO-D
Baud Rate	2400/4800/9600bps
Operating Humidity	0~95%
Operating Temperature	0°C~+50°C
Camera	Compatible with Sony, Hitachi, LG, CNB. The camera protocols can be recognized automatically
Motor	Stepper Motor