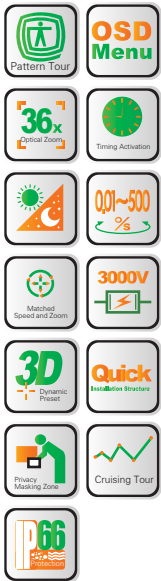


TC-D6600AW

Outdoor Low Speed Dome Camera

Speed Dome

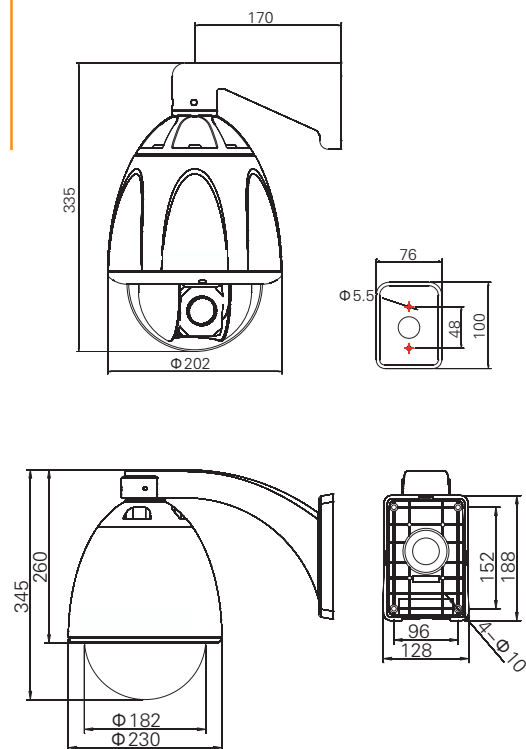


Optional

FEATURE

- Manual Speed: 0.1°/S~20°/S, stepless speed change
- Zoom/Speed auto matching technology
- 64 preset positions
- 4 auto cruising tracks, each track has 32 preset positions
- 4 groups of pattern tours
- Timed activation function
- All-weather proof outdoor design
- Compatible with Sony, Hitachi, LG, CNB cameras
- Multiple installation modes

DIMENSIONS (mm)



CAMERA SPECIFICATIONS

Sub Model	TC-D6618ANW	TC-D6618AW	TC-D6626AW	TC-D6636AW	TC-D6622AW	TC-D6627AW
Sensor	1/4" SONY Super HAD CCD	1/4" SONY Exview HAD CCD	1/4" SONY Exview HAD CCD	1/4" SONY Exview HAD CCD	1/4" SONY Super HAD CCD	1/4" SONY Exview HAD CCD
Horizontal Resolution	480TVL	480TVL	480TVL	480TVL	480TVL	480TVL
Camera	SONY 45CP	SONY 480CP	SONY 980P	SONY 1000P	CNB VP-200L	LG LVC-C372HP
Focus Length	F4.1mm~73.8mm	F4.1mm~73.8mm	F3.5mm~91.0mm	F3.4mm~122.4mm	F3.9mm~85.8mm	F3.25mm~88.0mm
Optical Zoom	18X	18X	26X	36X	22X	27X
Digital Zoom	12X	12X	12X	12X	10X	10X
Minimum Illumination	1.0Lux	0.7 Lux / 0.01 Lux	1.0 Lux / 0.01 Lux	1.4 Lux / 0.01 Lux	1.0 Lux / 0.01 Lux	1.0 Lux / 0.05 Lux
Video Output	1Vp-p75 ohms	1Vp-p75 ohms	1Vp-p75 ohms	1Vp-p75 ohms	1Vp-p75 ohms	1Vp-p75 ohms
Back Light Compensation	Auto	Auto	Auto	Auto	Auto	Auto
Focus	Auto/Manual	Auto/Manual	Auto/Manual	Auto/Manual	Auto/Manual	Auto/Manual
Iris	Auto/Manual	Auto/Manual	Auto/Manual	Auto/Manual	Auto/Manual	Auto/Manual
S/N Ratio	≥50dB	≥50dB	≥50dB	≥50dB	≥50dB	≥50dB
Electric Shutter	1/50~1/10000s	1/1~1/10000s	1/1~1/10000s	1/1~1/10000s	1/50~1/10000s	1/50~1/10000s

DOMES SPECIFICATIONS

Power Supply	AC24V
Power Consumption	30W
Manual Speed	0.1°/S~20°/S
Preset Speed	20°/S
Pan Angle	355°
Tilt Angle	90°
Presets Positions	64
Preset Accuracy	± 0.2°
Auto Scan	4 auto scan tracks, the left and right boundaries and scan speed can be set
Auto Cruising	4 cruising tracks, each cruising tracks has 32 preset positions, the dwell time can be set
Pattern Tour	4 groups
Guard Location	The dome will rotate back to preset position after a period of vacant time
Data Communication	RS-485
Protocols	PELCO-P, PELCO-D
Baud Rate	2400/4800/9600bps
Operating Humidity	0~95%
Operating Temperature	-35°C~+55°C
Camera	Compatible with Sony, Hitachi, LG, CNB. The camera protocols can be recognized automatically
Motor	Stepper Motor